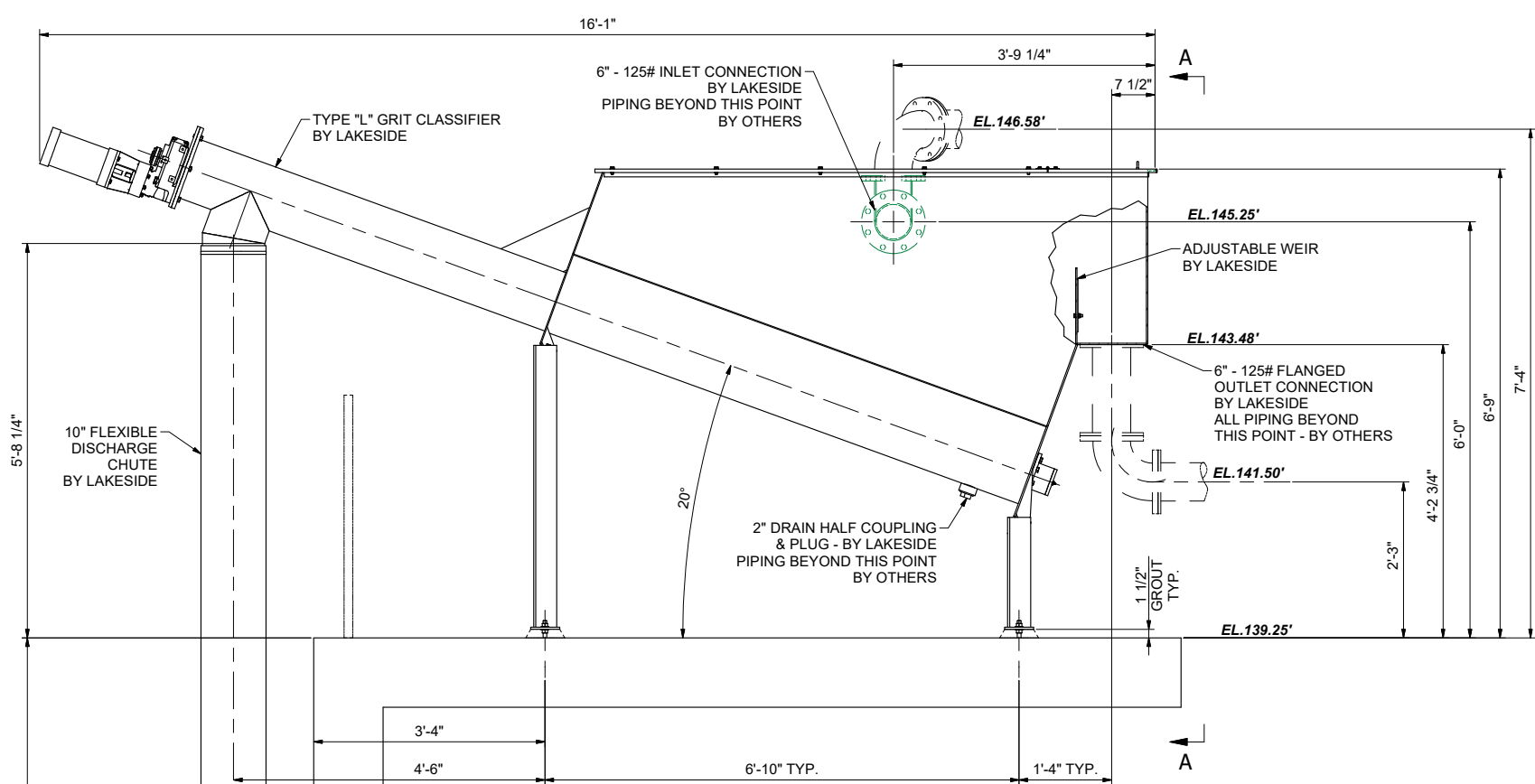
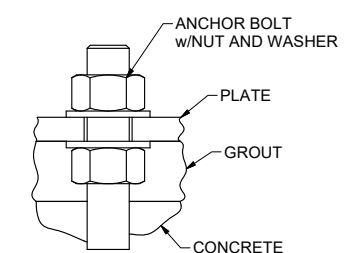
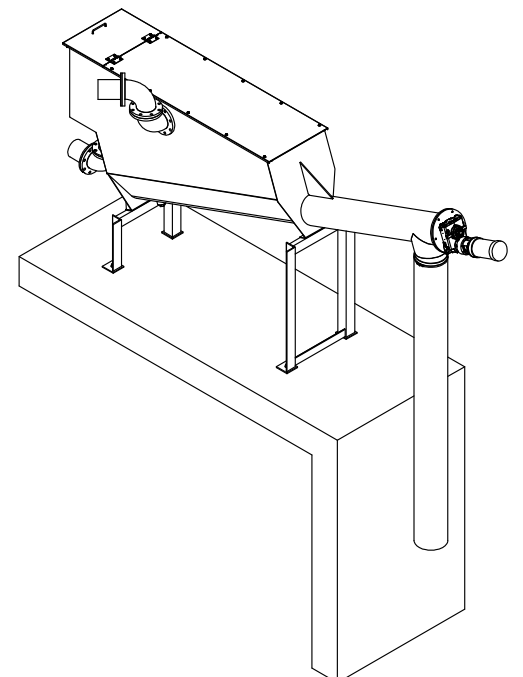
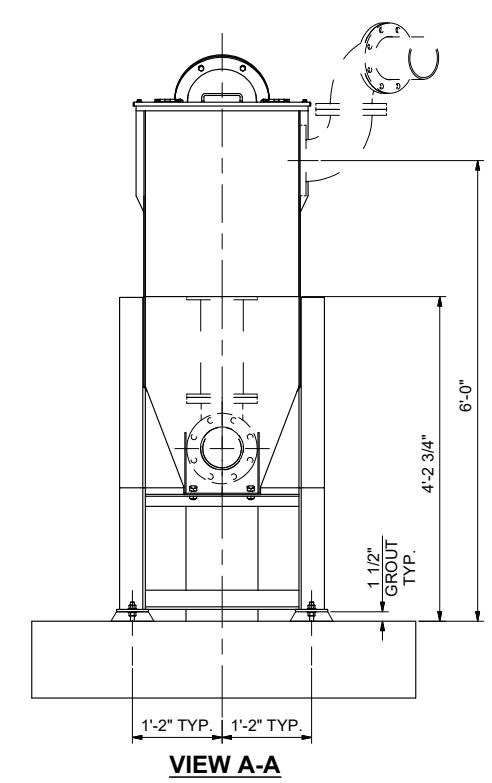


PLAN



ELEVATION



TYP. ANCHOR w/GROUT

EXISTING CONCRETE:
CHECK ALL DIMENSIONS AND ELEVATIONS CAREFULLY. RELAY ANY DISCREPANCIES TO LAKESIDE ON OR BEFORE APPROVED DRAWINGS ARE RETURNED TO LAKESIDE.

SAFETY WARNING:
THERE ARE INHERENT DANGERS WHILE INSTALLING OR OPERATING ELECTRICALLY POWERED MECHANICAL EQUIPMENT. CONSULT AND WORK WITH YOUR PROJECT SAFETY COORDINATOR TO DETERMINE ALL NECESSARY CAUTION IS EXERCISED AND GUARDING IS BEING PROVIDED TO PREVENT ACCIDENTS.

| | | | | | |
|---|-----|---------------|--|----------|---------------|
| | | PROJECT | FALFURRIAS, TX. FALFURRIAS WWTP | | |
| | | TITLE | 20° TYPE "L" GRIT CLASSIFIER INSTALLATION | | |
| WEIGHT: | N/A | INVENTORY No. | | | |
| DRAWN | KH | DATE | 3/23/2021 | SIZE | S.O. # |
| CHECKED | TH | DATE | 3/29/2021 | D | 21-114 |
| COPYRIGHT © 2021 LAKESIDE EQUIPMENT CORPORATION | | SCALE | SHEET | 1 OF 1 | FILE No. |
| | | | | | 60 |